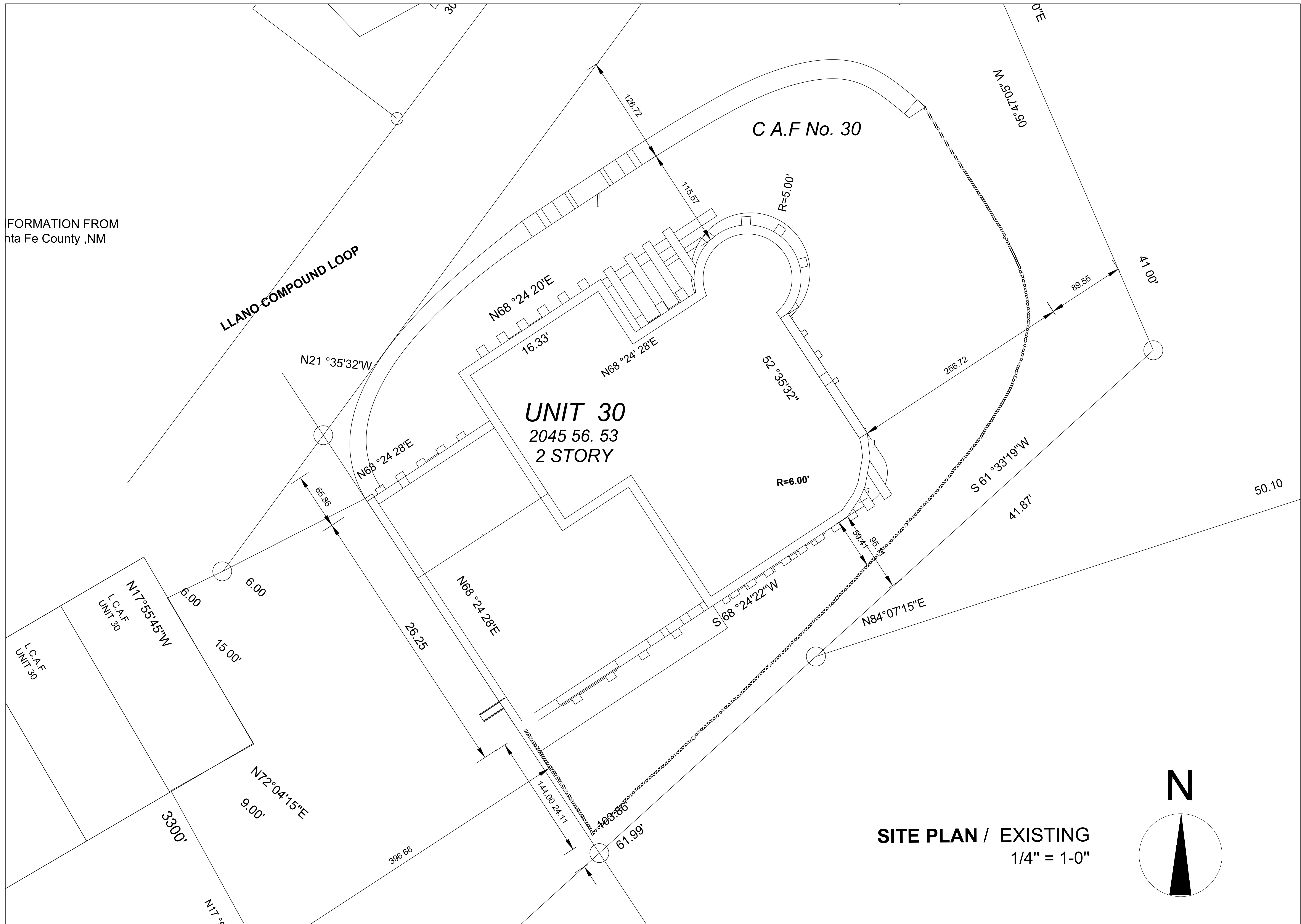
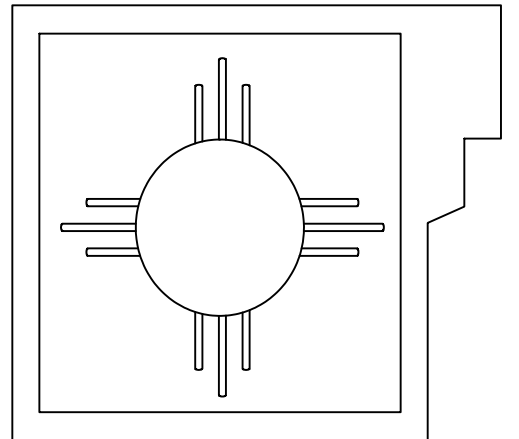


FORMATION FROM
Santa Fe County, NM

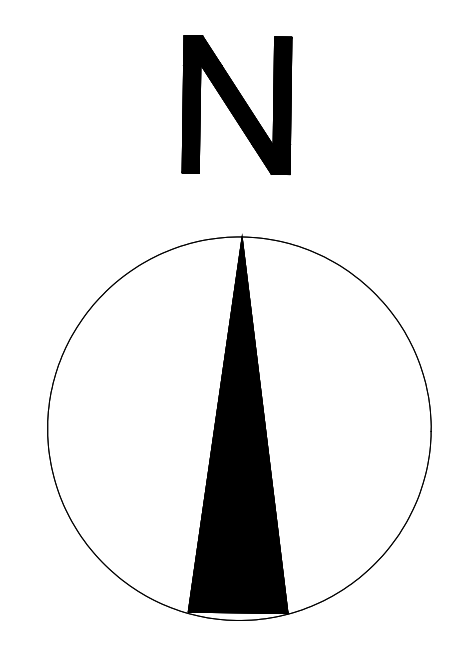


27 JULY 2023

www.santafestylebuilders.com



SITE PLAN / EXISTING
1/4" = 1-0"

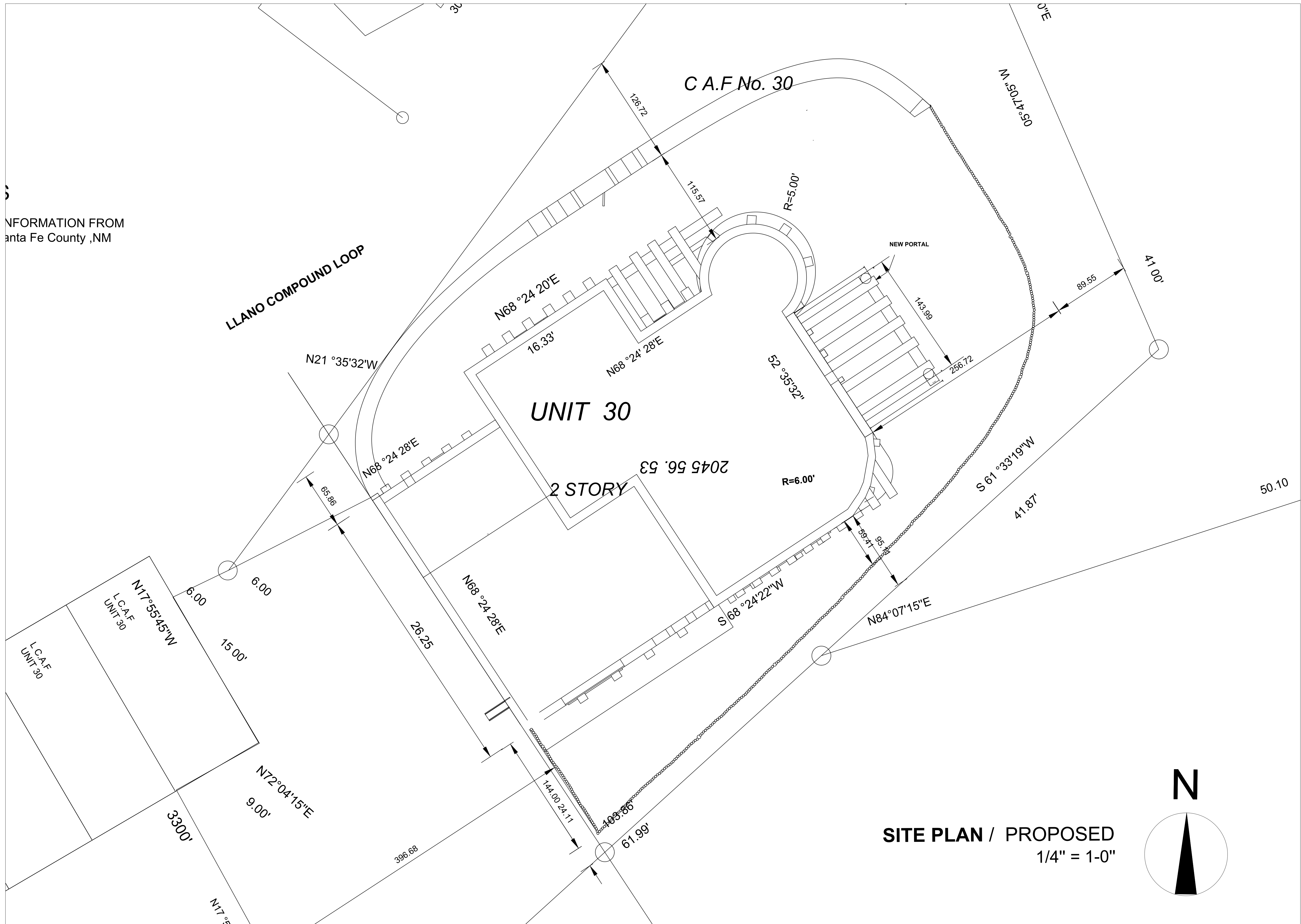


PROPOSED PORTAL
815 E. PALACE # 30
Santa Fe, NM 87501

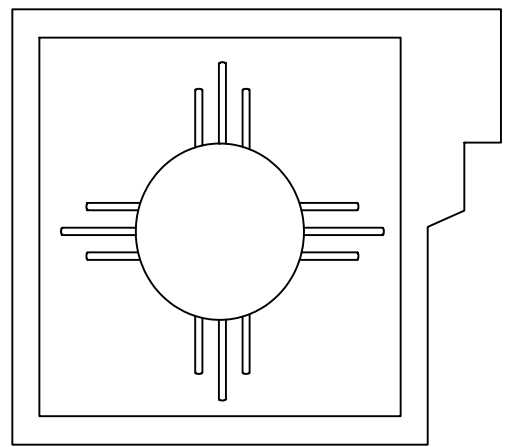
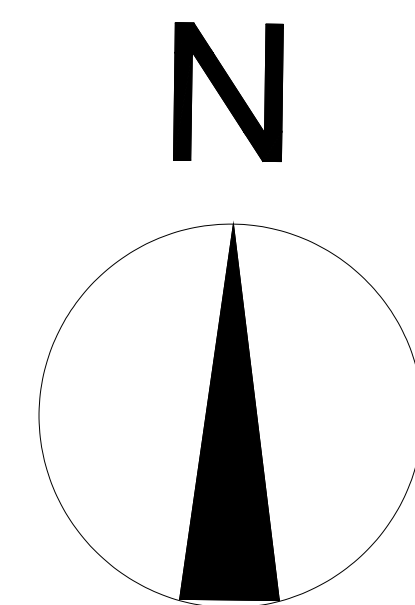
SANTA FE STYLE BUILDERS

01

INFORMATION FROM
Santa Fe County, NM



SITE PLAN / PROPOSED
1/4" = 1-0"

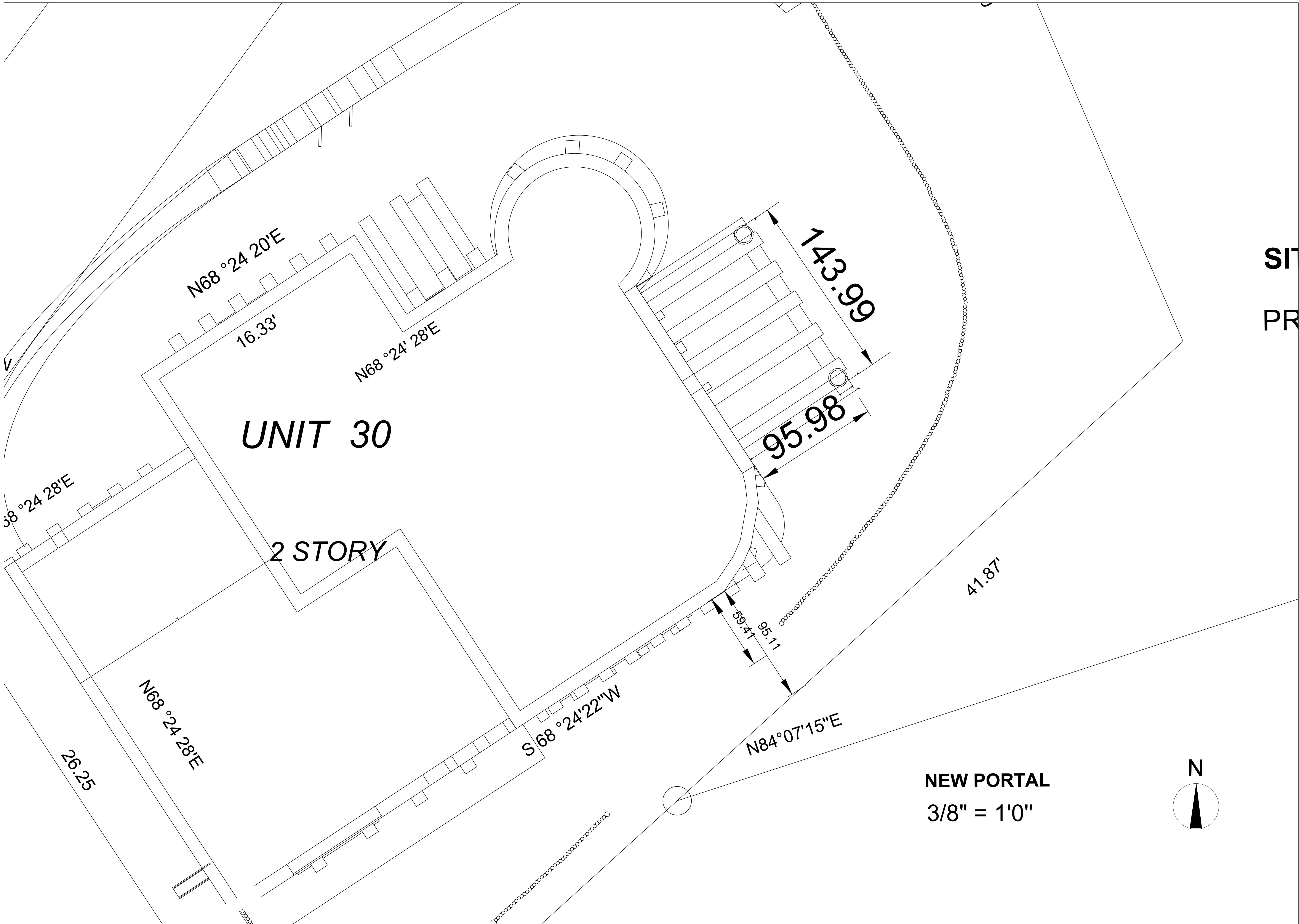


27 JULY 2023

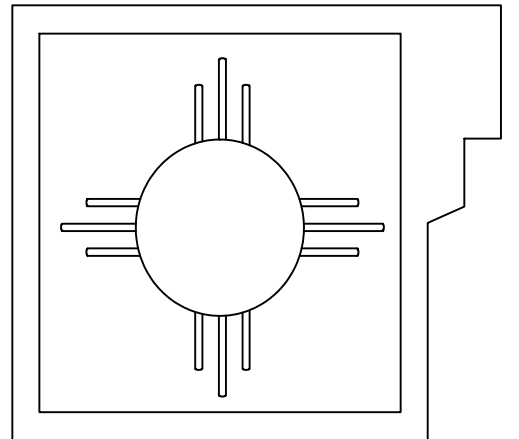
WWW.SANTAFESTYLEBUILDERS.COM

PROPOSED PORTAL
815 E. PALACE # 30
Santa Fe, NM 87501

SANTA FE STYLE BUILDERS

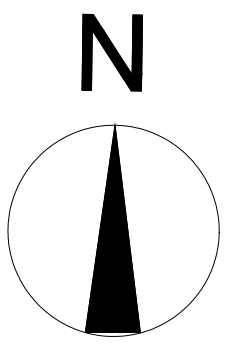


SIT
PR

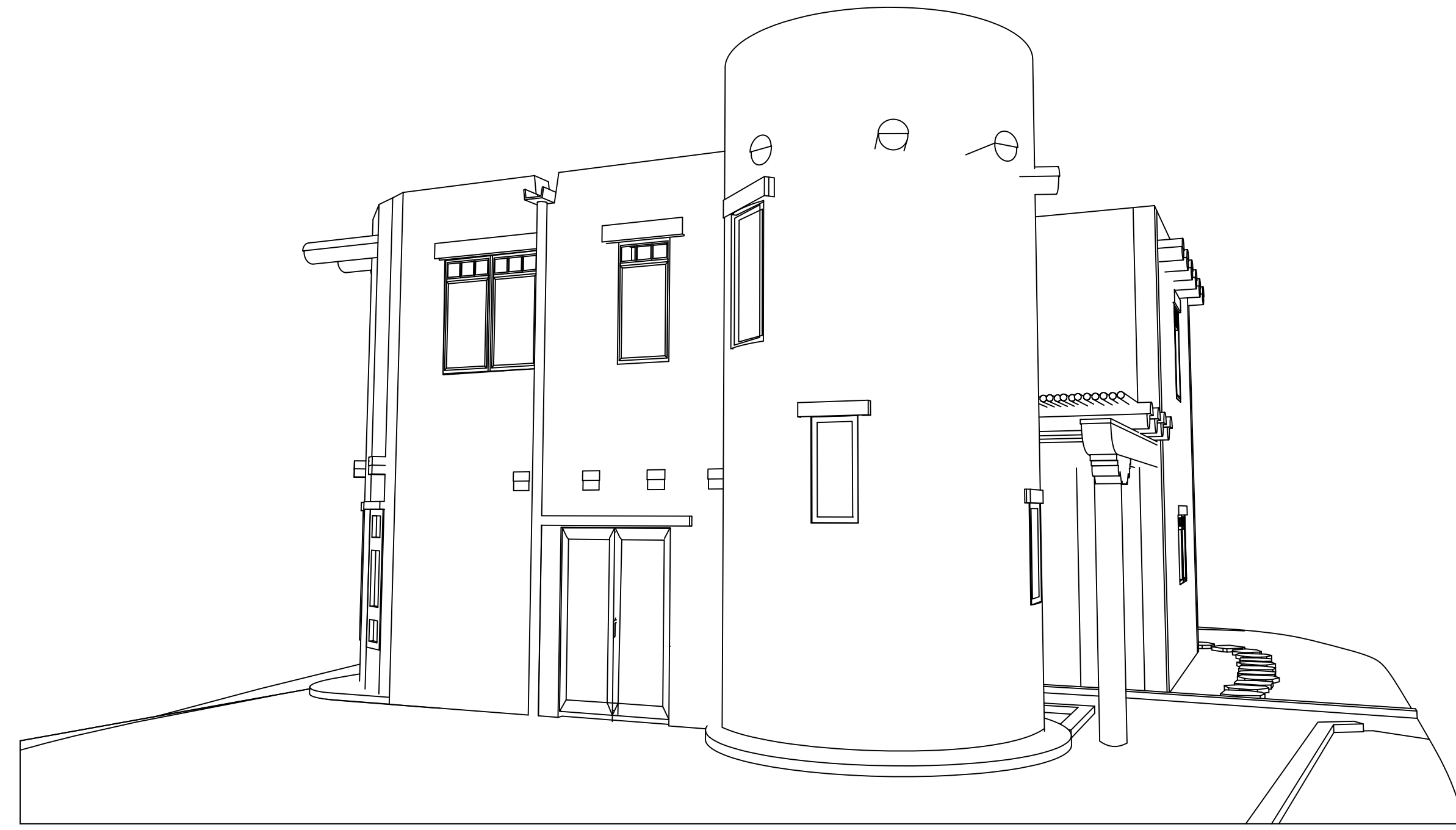


PROPOSED PORTAL
815 E. PALACE # 30
Santa Fe, NM 87501

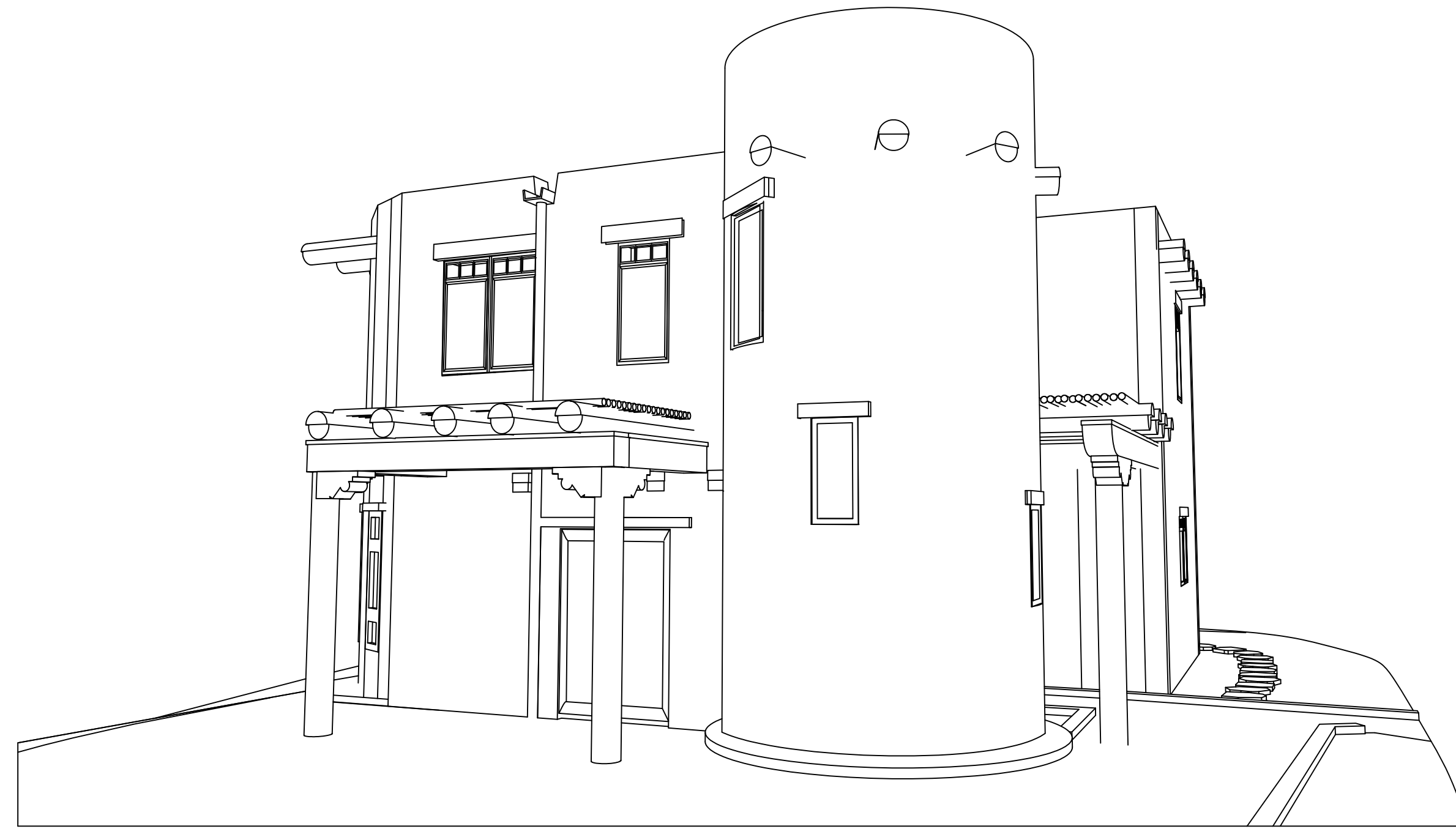
SANTA FE STYLE BUILDERS



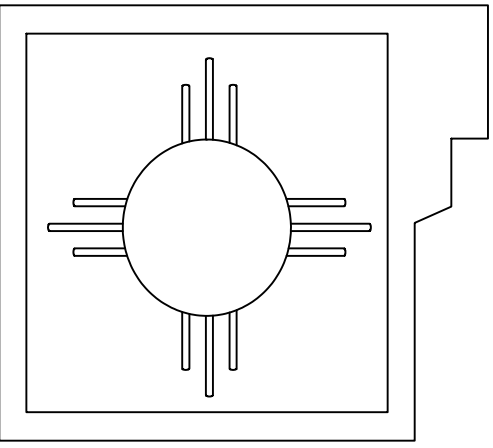
NEW PORTAL
3/8" = 1'0"

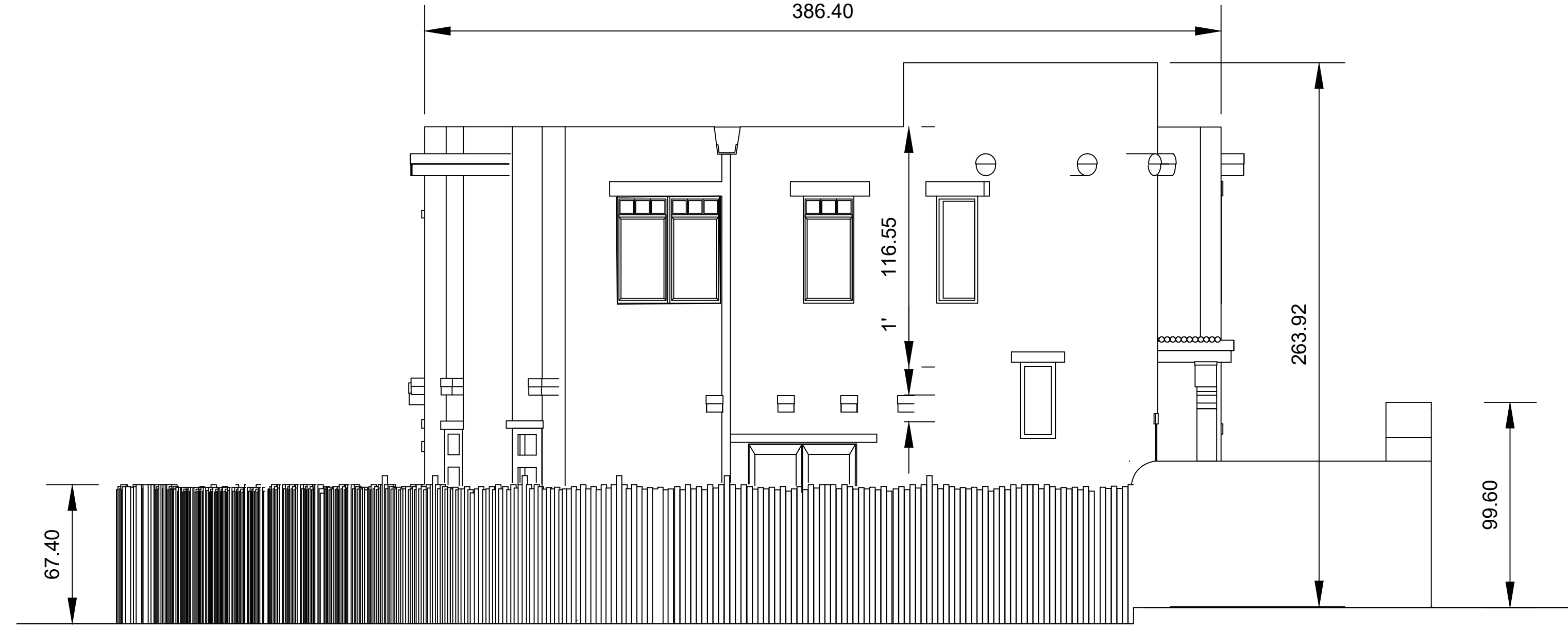


PERSPECTIVE / EXISTING

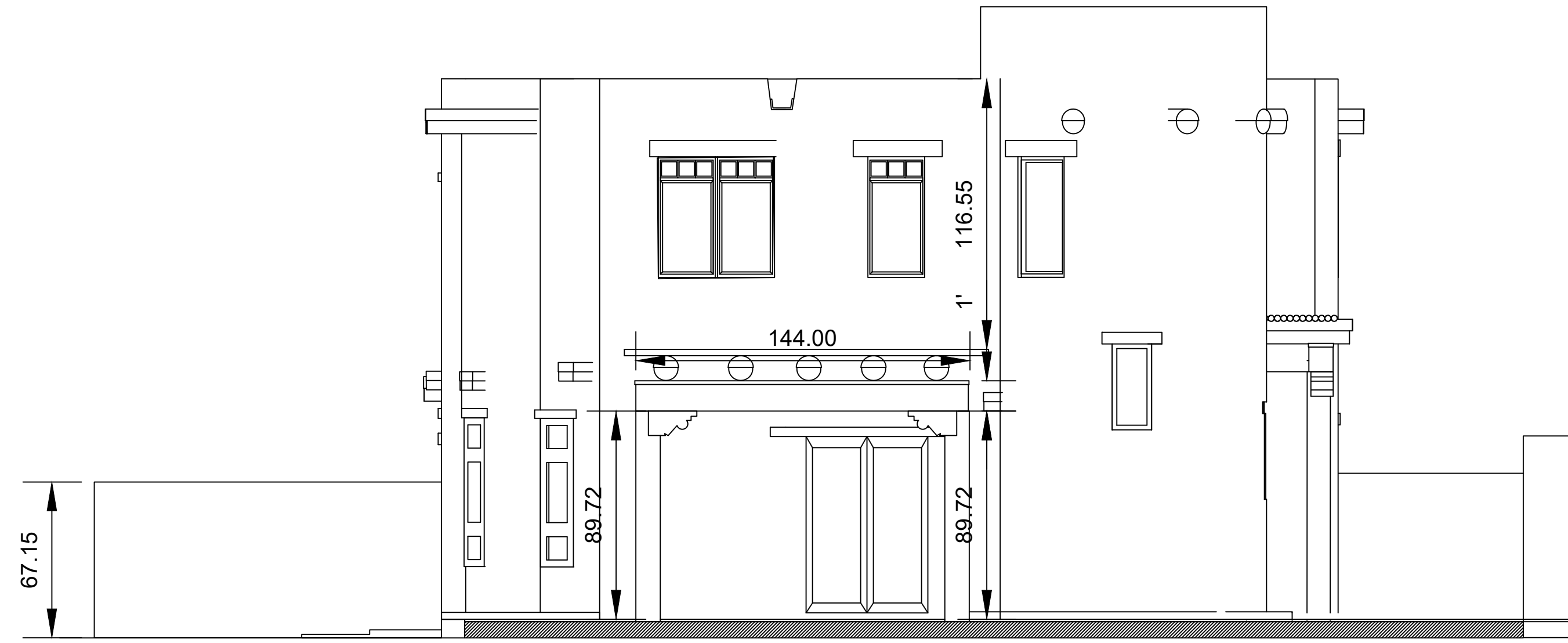


PERSPECTIVE / PROPOSED

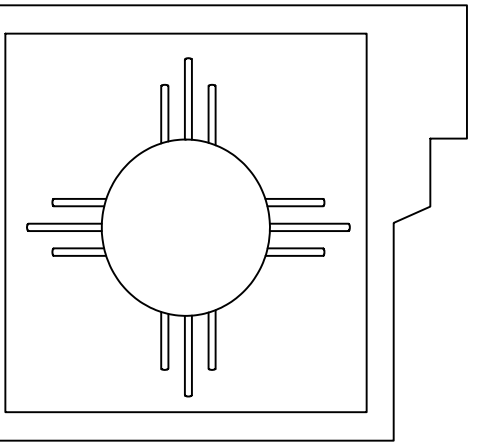


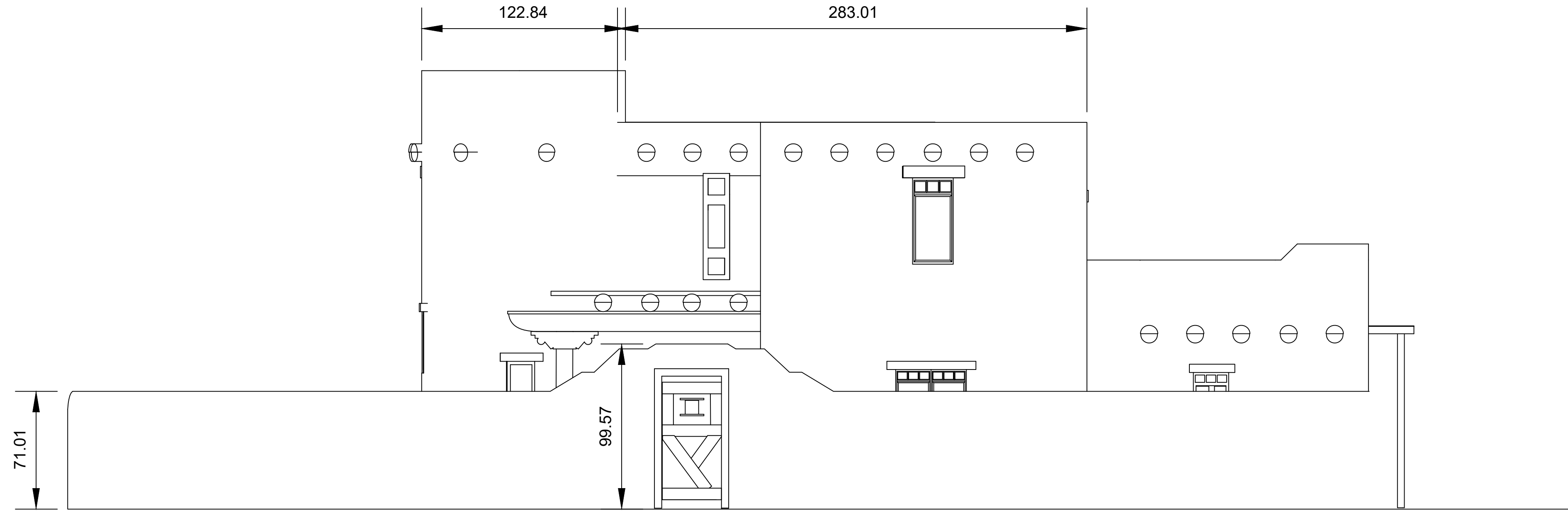


NORTH EAST ELEVATION / EXISTING
1/4" = 1'0"



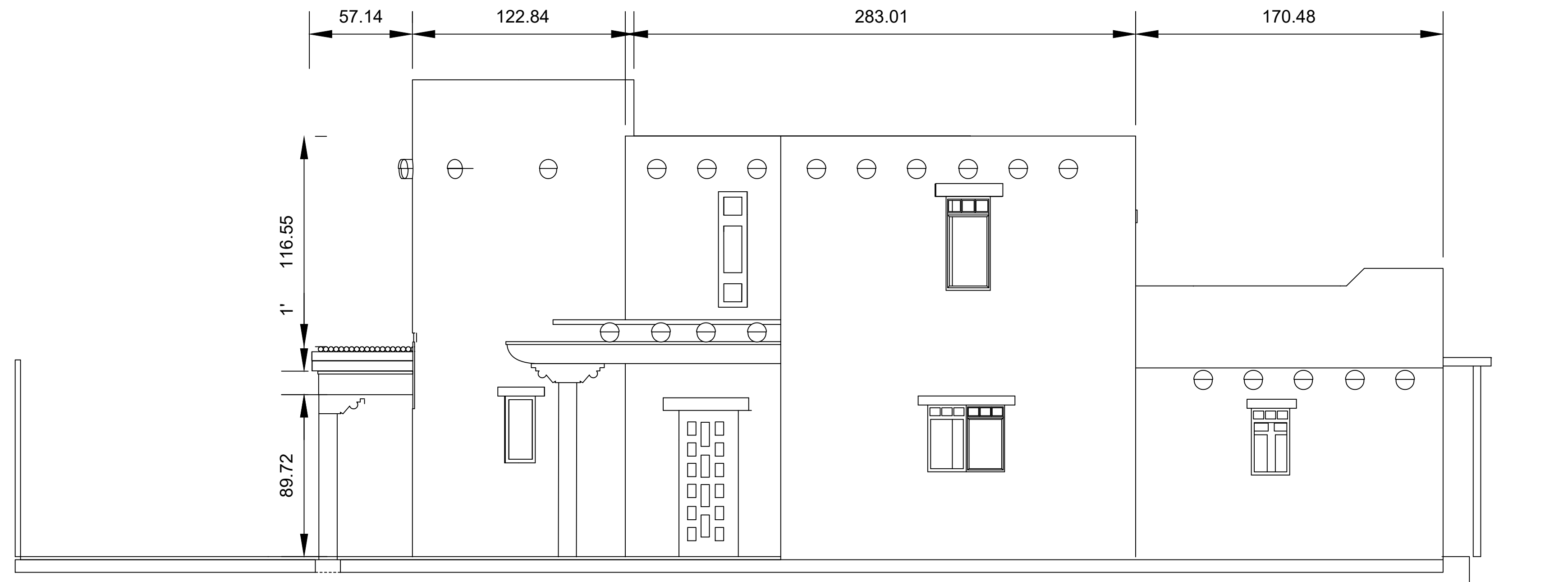
NORTH EAST ELEVATION / PROPOSED
1/4" = 1'0"





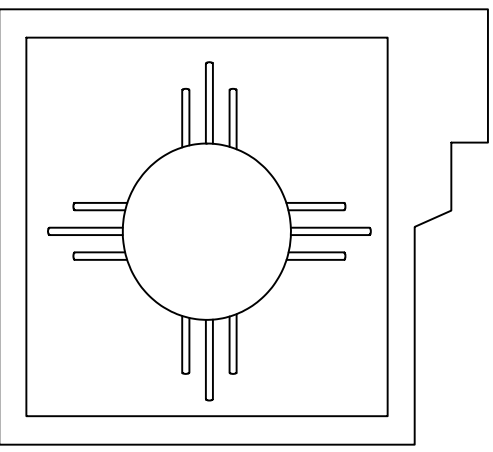
NORTH WEST ELEVATION WITH WALL / EXISTING

1/4" = 1'0"



NORTH WEST ELEVATION / PROPOSED

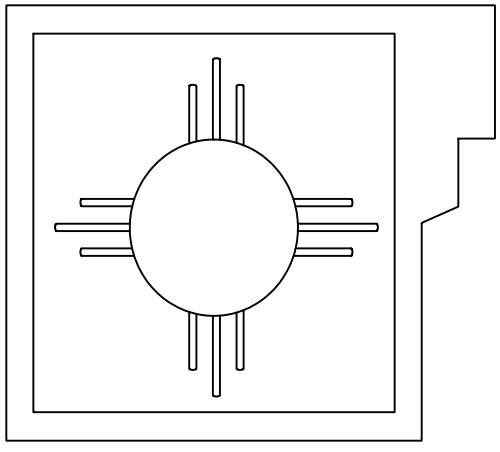
1/4" = 1'0"





SOUTH WEST ELEVATION / EXISTING

1/4" = 1'0"

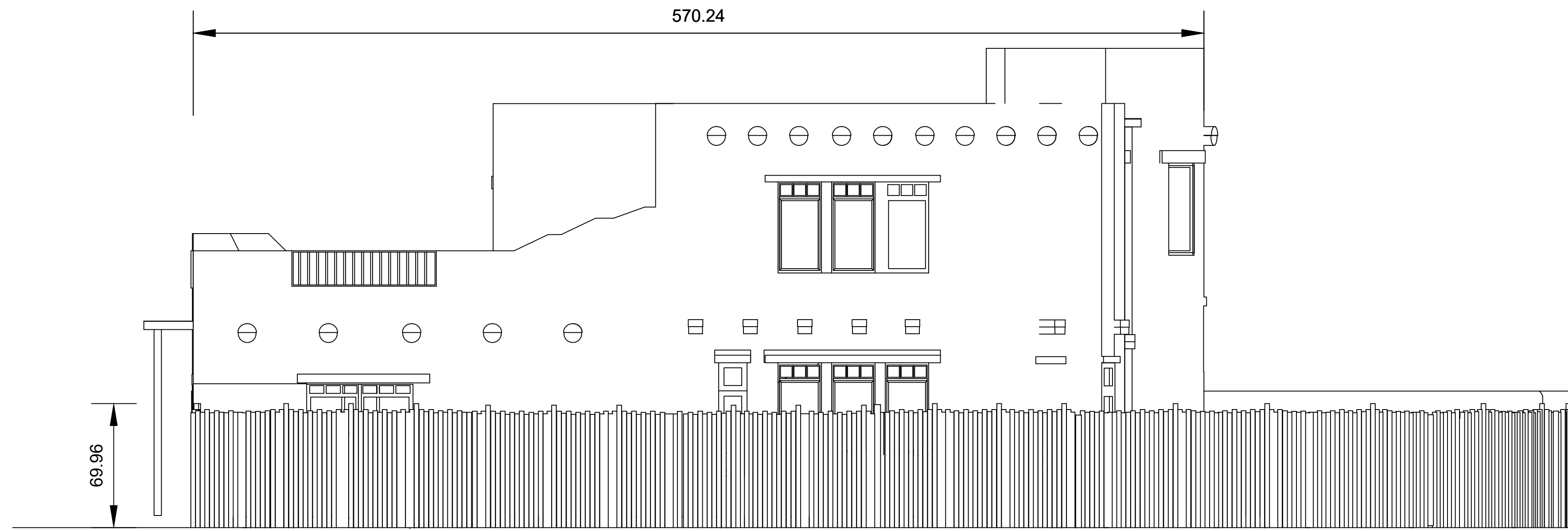


27 JULY 2023

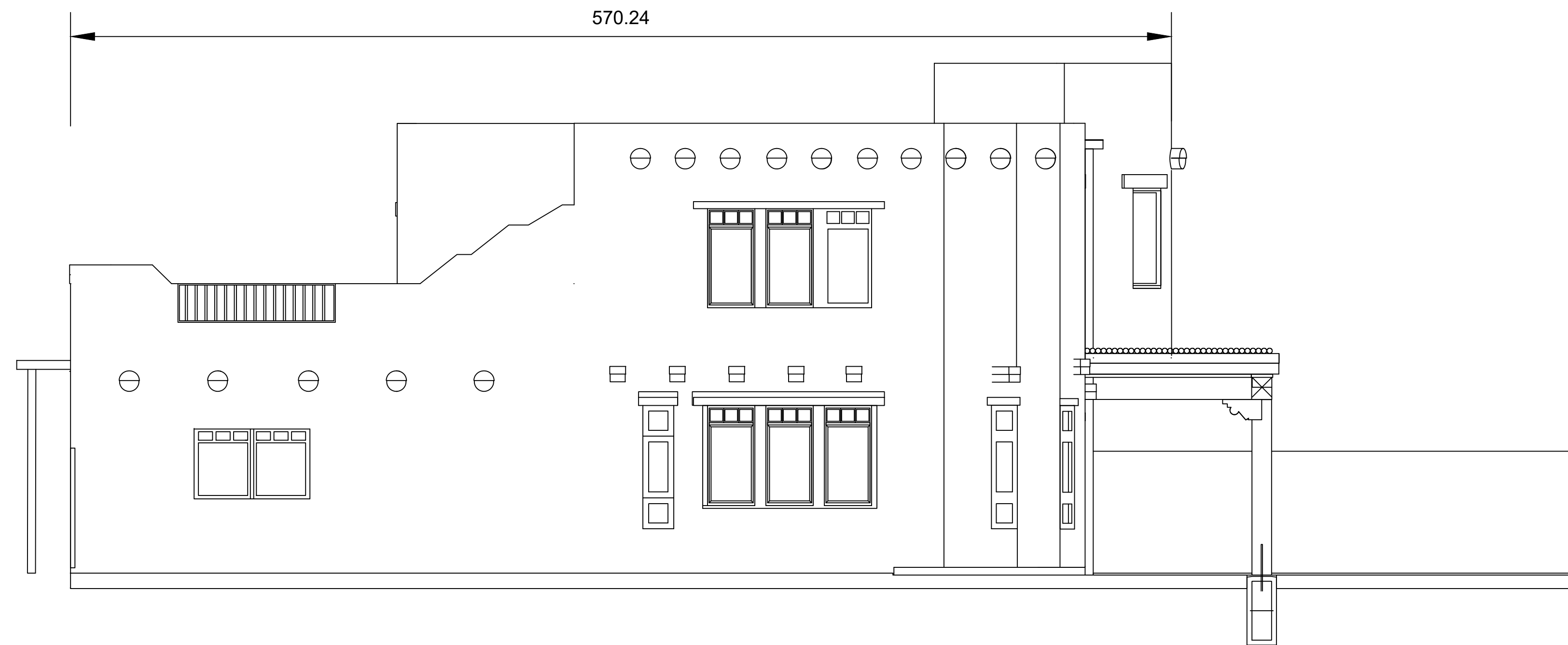
www.santafestylebuilders.com

PROPOSED PORTAL
815 E. PALACE # 30
Santa Fe, NM 87501

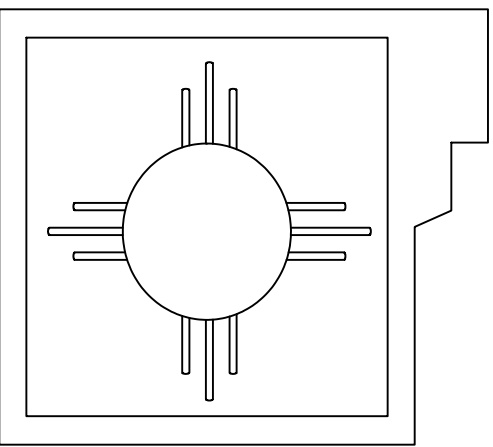
SANTA FE STYLE BUILDERS

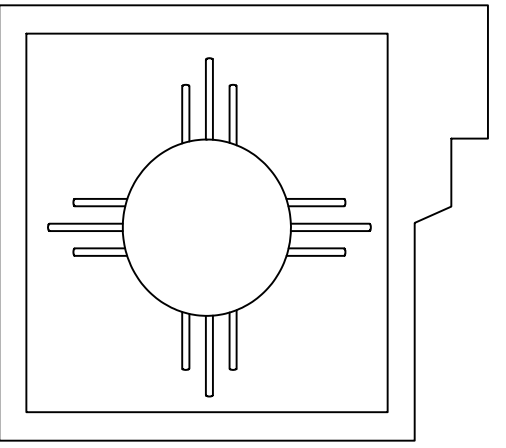
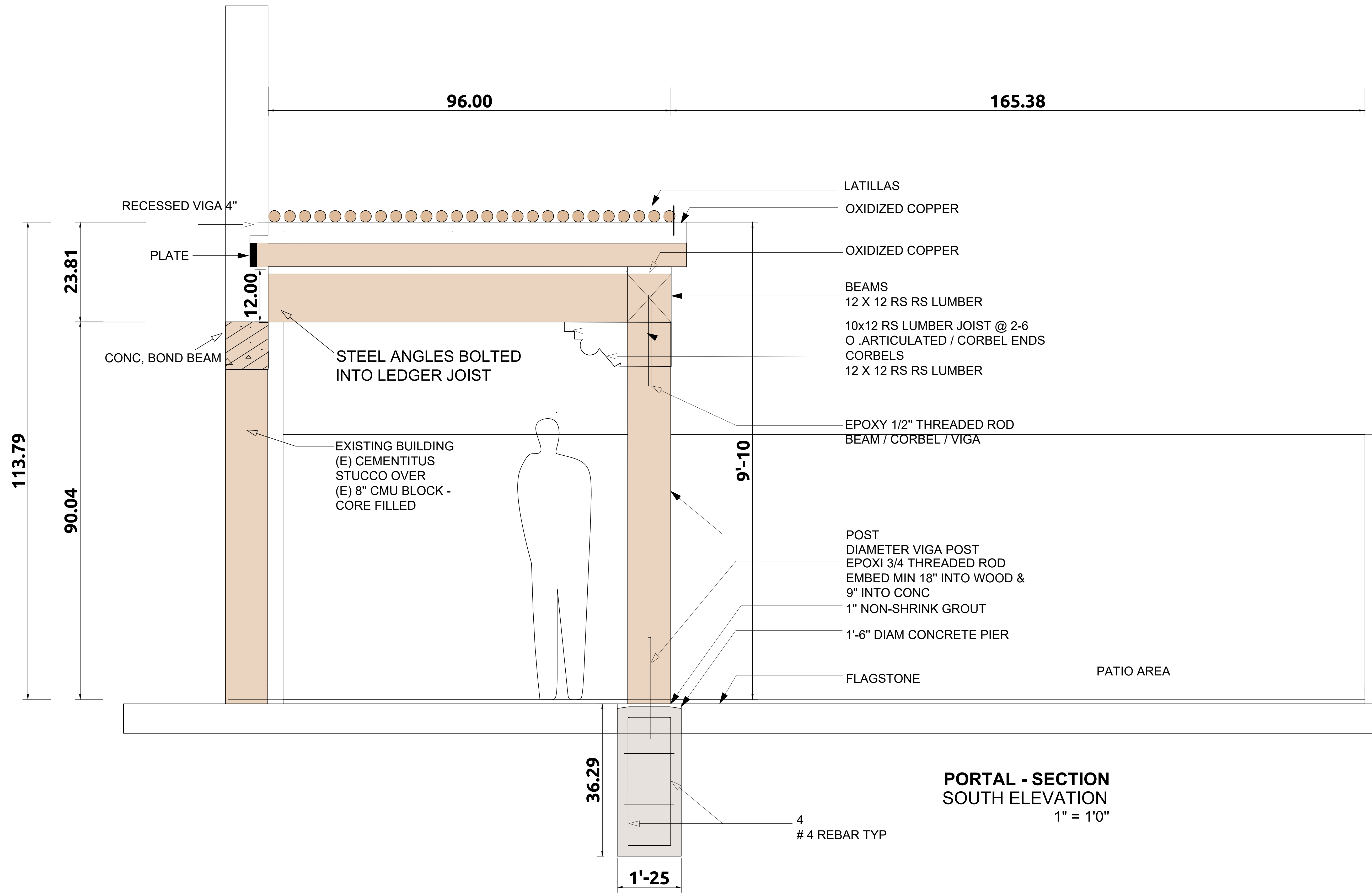


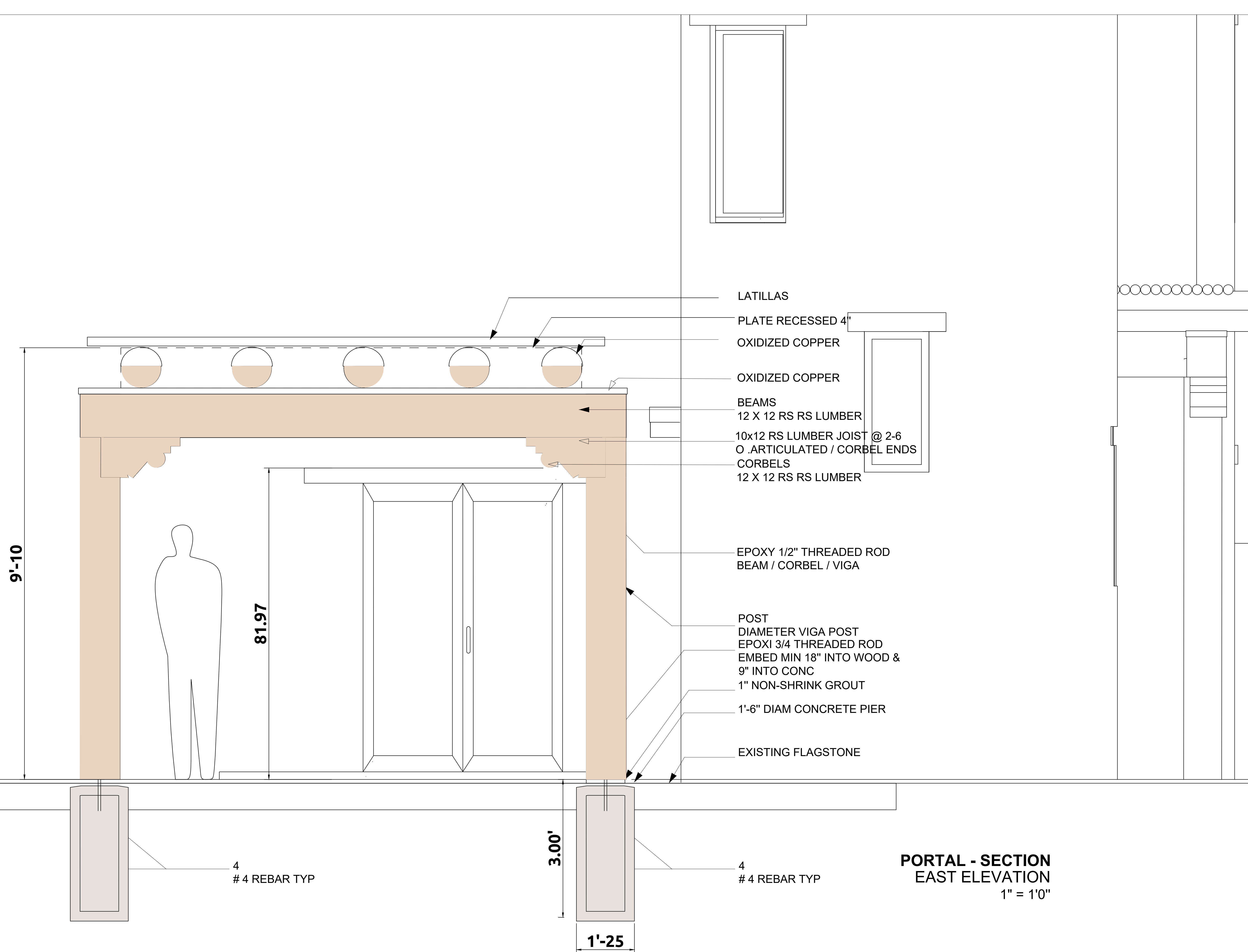
SOUTH EAST ELEVATION WITH FENCE / EXISTING
 1/8" = 1'0"



SOUTH EAST ELEVATION / PROPOSED
 1/4" = 1'0"







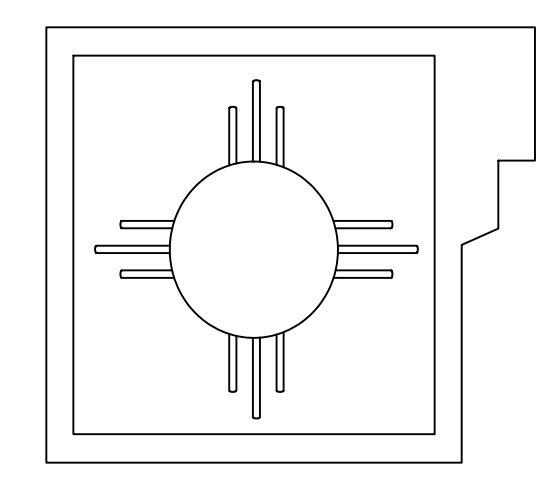
- LATILLAS
- PLATE RECESSED 4"
- OXIDIZED COPPER
- OXIDIZED COPPER
- BEAMS
12 X 12 RS RS LUMBER
- 10x12 RS LUMBER JOIST @ 2-6
O .ARTICULATED / CORBEL ENDS
- CORBELS
12 X 12 RS RS LUMBER

- EPOXY 1/2" THREADED ROD
BEAM / CORBEL / VIGA
- POST
DIAMETER VIGA POST
EPOXI 3/4 THREADED ROD
EMBED MIN 18" INTO WOOD &
9" INTO CONC
1" NON-SHRINK GROUT
- 1'-6" DIAM CONCRETE PIER
- EXISTING FLAGSTONE

4
4 REBAR TYP

4
4 REBAR TYP

**PORTAL - SECTION
EAST ELEVATION**
1" = 1'0"



PROPOSED PORTAL
815 E. PALACE # 30
Santa Fe, NM 87501

SANTA FE STYLE BUILDERS